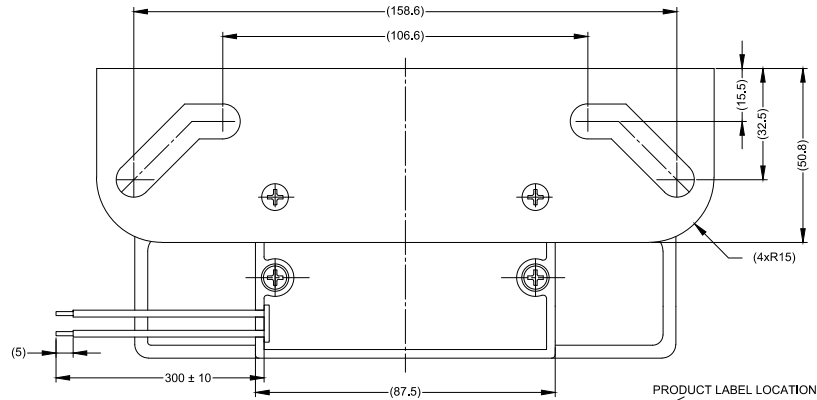
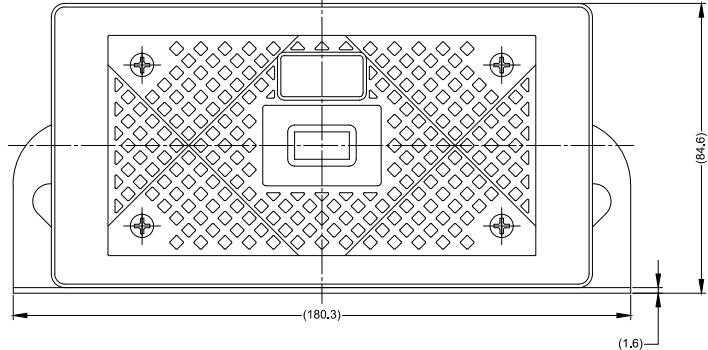
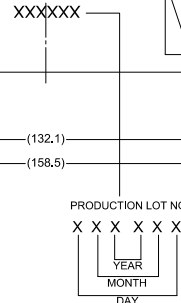
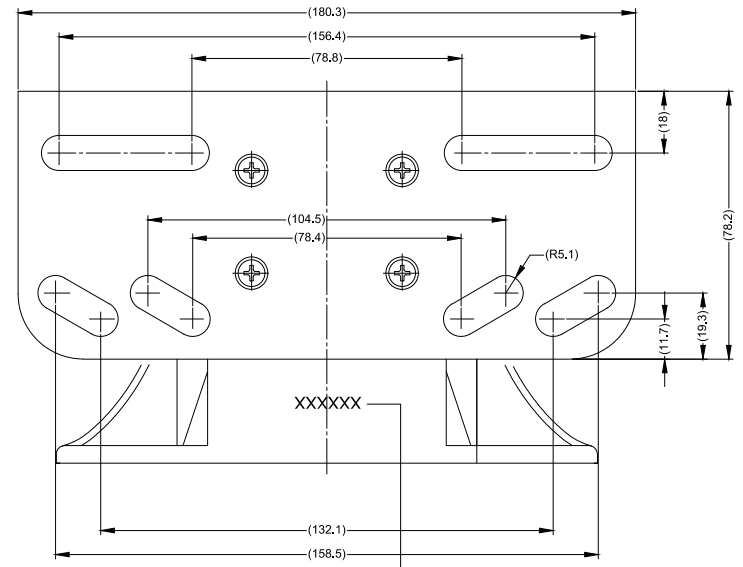
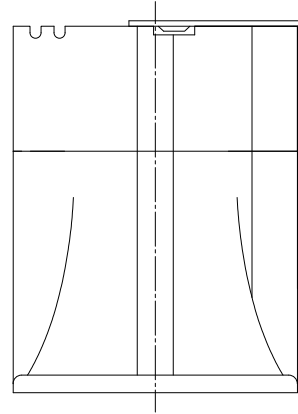
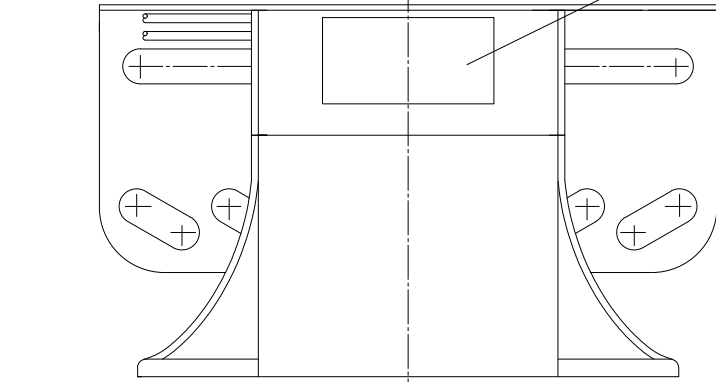


Revision Notes:				
R1 -				
APA:	Drawn:	Checked:	Approved:	Date:



**SPECIFICATION:**

1. RATED VOLTAGE 12/24 VDC. (WORKING VOLTAGE RANGE 9 ~ 32 VDC)
2. RATED CURRENT: 1.0 AMPERES OR LESS.
3. SOUND PRESSURE: 112±4dB AT TEST VOLTAGES OF 14/28 VOLTS. (AS MEASURED AT A DISTANCE OF 1.2m AND AT A HEIGHT OF 1.2m ABOVE THE GROUND.
4. FREQUENCY: 1900±200Hz AT TEST VOLTAGES OF 14/28 VOLTS.
5. INTERMITTENCE: 80±10 CYCLES PER MINUTE AT TEST VOLTAGES OF 14/28 VOLTS.
6. DURABILITY: CONTINUOUS 500 HOURS AT TEST VOLTAGE OF 32 VOLTS.
7. TEMPERATURE RANGE: -40°C ~ +85°C.
8. WATER RESISTANCE: TO RESIST WATER AND BE ABNORMALITY FREE AS TESTED SUBJECT TO ITEM S1, JIS D 0203.
9. VIBRATION RESISTANCE: PER SAE J994.
10. OTHERS: MEETS REQUIREMENTS OF SAE J994.



**NOTES:**  
 1. "R TRIANGLE" INDICATES CHANGES MADE TO REVISION OF DRAWING AS IDENTIFIED IN NOTES.  
 2. FOR PACKAGING & LABELLING DETAIL REFER TO THE LATEST REVISION OF THE MASTER BOM AND DRAWINGS.

**PROPRIETARY NOTICE**  
 THIS DESIGN AND TECHNICAL INFORMATION APPEARING ON THIS DRAWING IS THE PROPERTY OF BRIGADE ELECTRONICS, AND IS DISCLOSED IN CONFIDENCE. IT IS NOT TO BE COPIED, REPRODUCED, REVEALED TO OR EXPROPRIATED BY OTHERS, EITHER IN WHOLE OR IN PART WITHOUT THE EXPRESS WRITTEN CONSENT OF BRIGADE ELECTRONICS.

**BRIGADE**  
 www.brigade-electronics.com

Assembly Pl Approval W. FUKUZAWA	Approved by A. KEBEDE	Checked by E. MATHEW	Drawn by J. YU
Angle of Projection 	Units mm	Scale N/A	Released 17/03/2025
Status RELEASED	Assembly Ref BA-891		
Part No 14-36A	BE-005022-00-25		